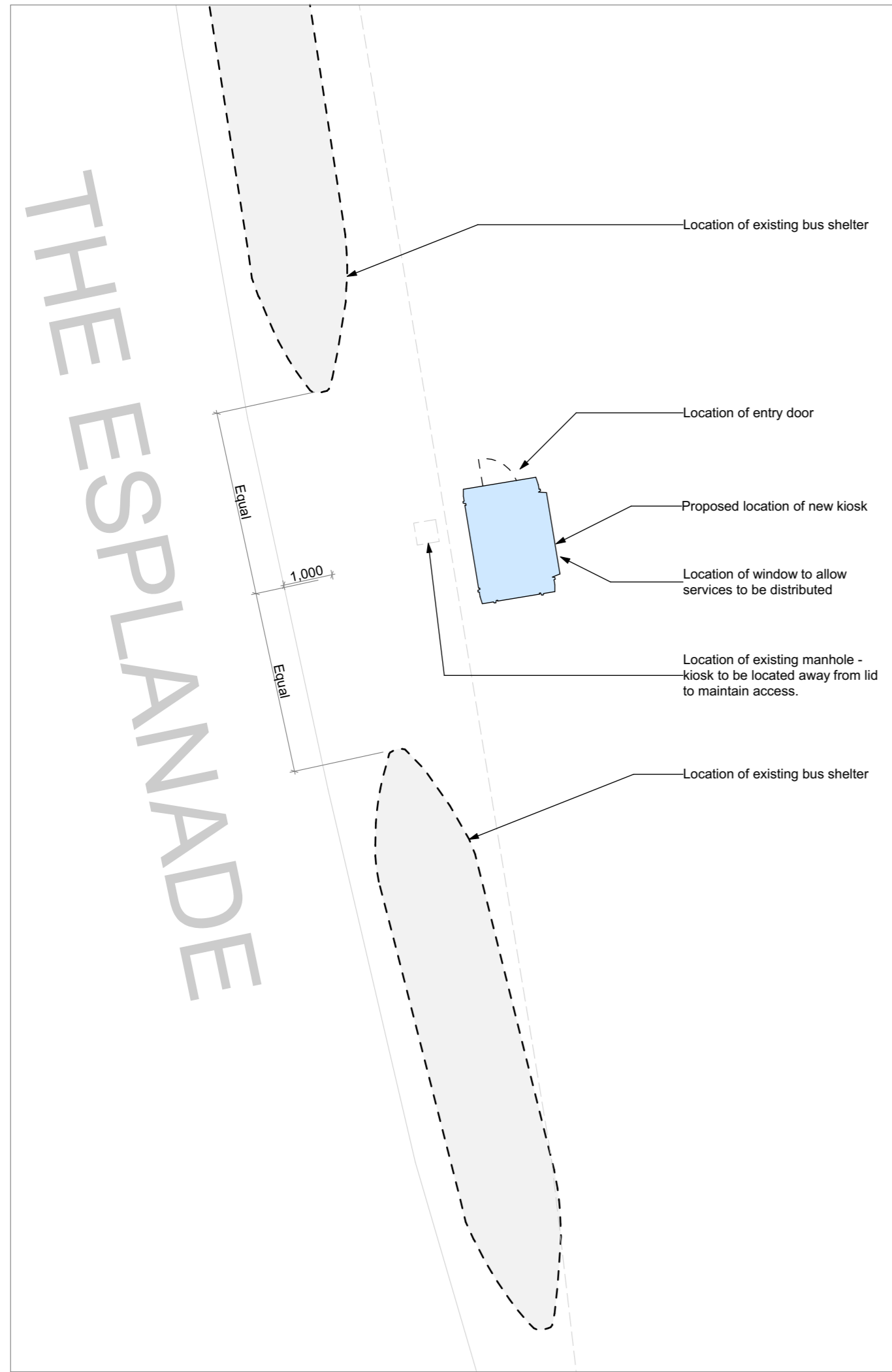
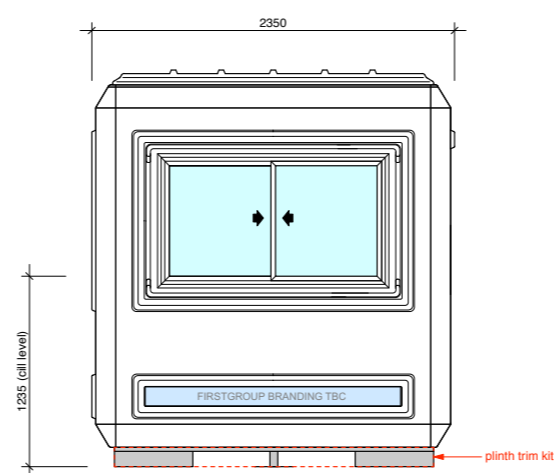


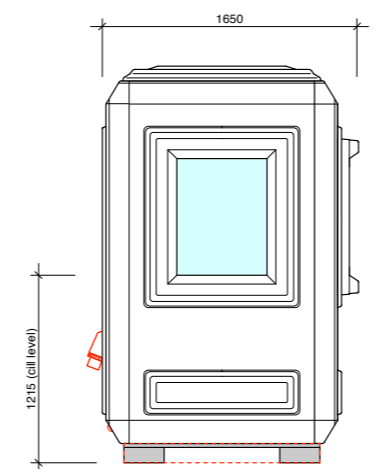
# THE ESPLANADE



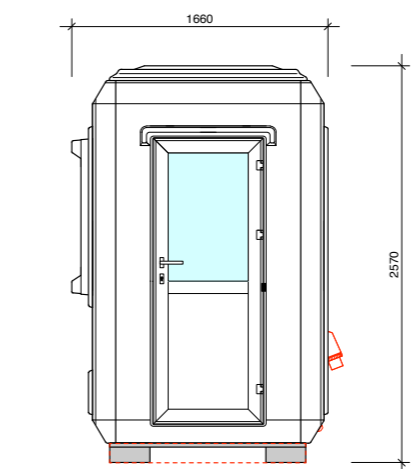
Site Plan  
Scale 1:100



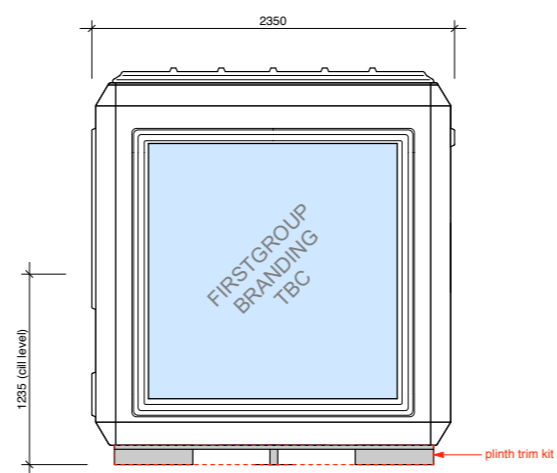
Proposed Eastern Elevation  
Scale 1:50



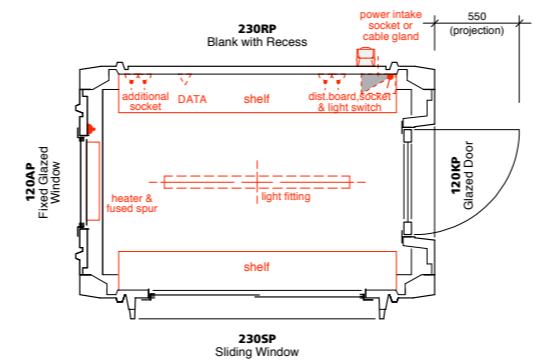
Proposed Southern Elevation  
Scale 1:50



Proposed Northern Elevation  
Scale 1:50



Proposed Western Elevation  
Scale 1:50



Proposed Floor Plan  
Scale 1:50

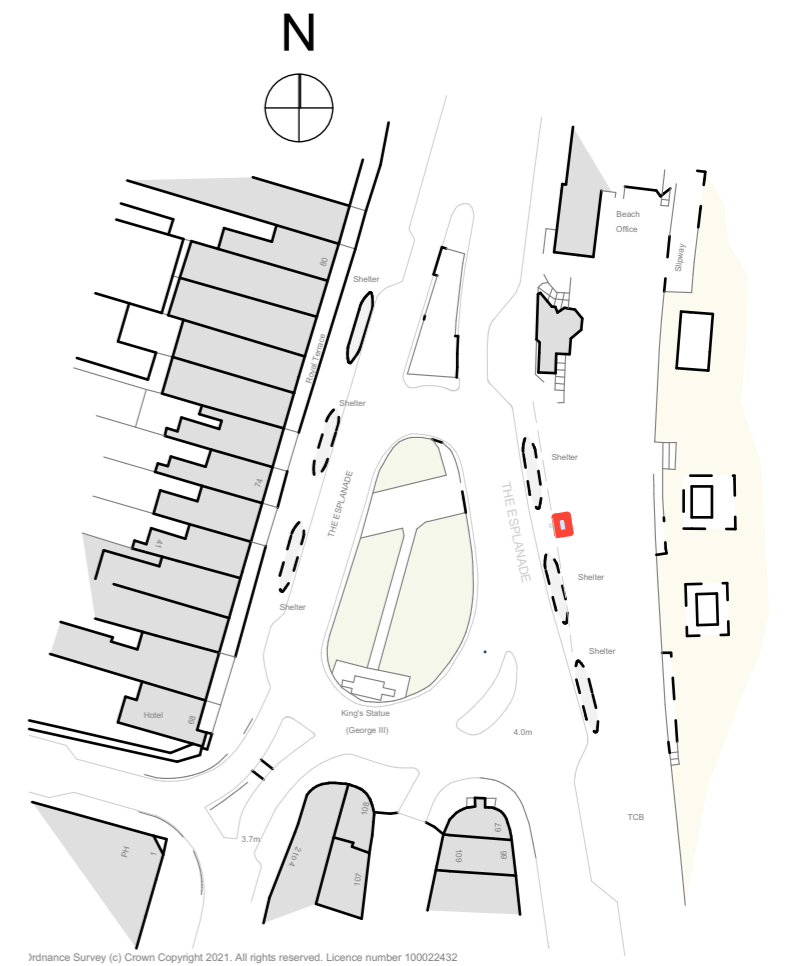
**DESCRIPTION :**  
Fixed or free standing kiosk c/w fork lift points.

**MATERIAL :**  
Panels - GRP panels with fire retardant foam and resin.  
Floor - Anti-slip plywood 18mm thick, black finish.  
Subframe - Mild steel with galvanised finish.

**COLOUR :**  
Standard 'White'.

**DIMENSIONS :**  
All dimensions are in mm unless otherwise stated.

**INSTALLATION :**  
Non permanent - a firm level surface.  
Permanent - Base to be a minimum of 2200 x 1400 x 125mm thick concrete onto well consolidated hardcore. Base to be smooth (float finish), flat, level, square and slightly raised above surrounding ground level. Drill six 12 x 80mm holes for use with expanding ground anchor bolts, locations pre-determined within subframe.



Location Plan  
Scale 1:1250

Revision	Description
Client	<b>First</b> Hampshire, Dorset and Berkshire
Project	<b>Proposed Information Kiosk</b> Weymouth Seaford, The Esplanade, Weymouth, DT4 7AA
Drawing Title	<b>Proposed Information Kiosk</b>

**JANUS ARCHITECTURE**  
Gateway Studio, 83 Bradford Road, Idle, Bradford. BD10 9JL  
Tel: 01274 424884 Fax: 01274 424885  
E-mail: info@janusarchitecture.co.uk  
Website: www.janusarchitecture.co.uk

ARCHITECTURAL DESIGN PROJECT MANAGEMENT  
PRINCIPAL DESIGNER BIM / 3D RENDERING

Drawing Status **PLANNING**

Scales 1:100, 1:1250, 1:50 Size A3 Date Feb '21

Drawing Number 1091 - 001 Revision